

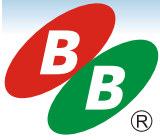


Measures

Technology

Values

Innovation



VRLA Rechargeable Battery

HR9-6 (HR9-6FR)

FEATURES

- Maintenance free(no water topping-up required)
- No free acid(Non-spillable battery)
- Can be used in any orientation(excluding used inverted)
- The battery is designed for high rate usage
- Its design life is up to 6 years in floating application
- Absorbent Glass Mat technology for efficient gas recombination
- The power density at 5 min~15min discharging rate is 30% higher than BP series

APPLICATION

- UPS
- Laboratory Equipment
- Toy-Cars
- Fishing Lights
- Power Packs

SPECIFICATIONS

Nominal Voltage	6V	
Nominal Capacity	10 Hour Rate (800mA, 5.25V)	8.0 Ah
	15 Min Rate (108W, 3.90V)	4.5 Ah
Approx. Weight	1400g(3.09lbs.)	
Terminals	T2 (Faston Tab 250) T1 is optional	
Max. Discharge Current	120 A (5 sec.)	
Max. Charge Current	2.4 A	
Operating Temperature Range	Charge	0°C~40°C(32°F~104°F)
	Discharge	-20°C~50°C(-4°F~122°F)
	Storage	-20°C~40°C(-4°F~104°F)
Self Discharge	< 3% per month (25°C)	
Internal Resistance	≤ 7.5mΩ (Fully Charged)	



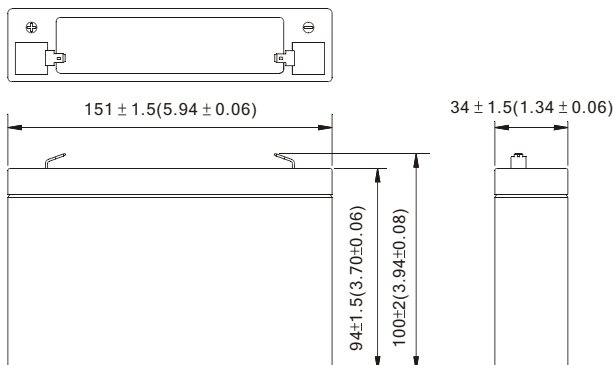
CONTAINER MATERIAL

- HR9-6:
ABS: UL 94-HB (Dark gray color)
- HR9-6FR:
ABS: UL 94-V0 (Light gray color)

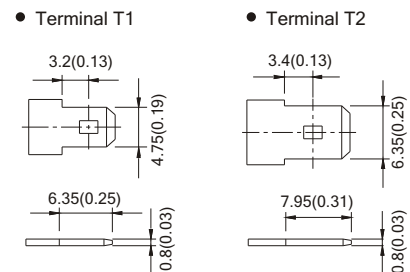
 ISO 9001	 ISO 14001
 MH19884 UL	 C4M20310-2474-E-16 CE
<ul style="list-style-type: none"> • IEC 61056-1 • GB/T 19639.1 	<ul style="list-style-type: none"> • JIS C 8702-1

OUTER DIMENSIONS mm(inch)

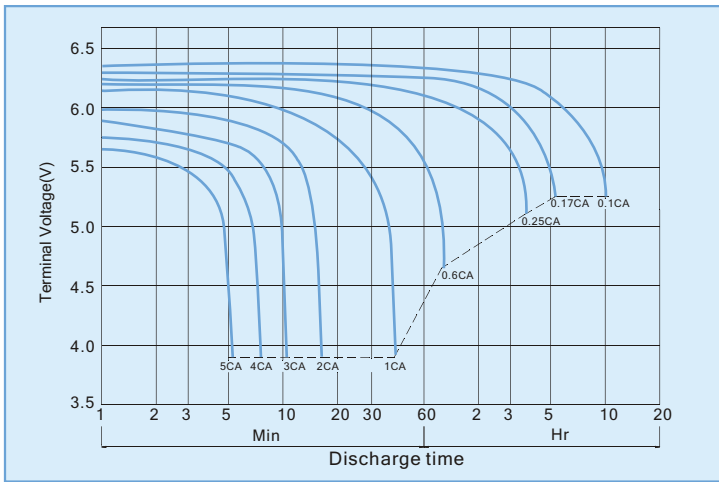
Length (L)	Width (W)	Container Height (H)	Total Height (TH)
151±1.5(5.94±0.06)	34±1.5(1.34±0.06)	94±1.5(3.70±0.06)	100±2.0(3.94±0.08)



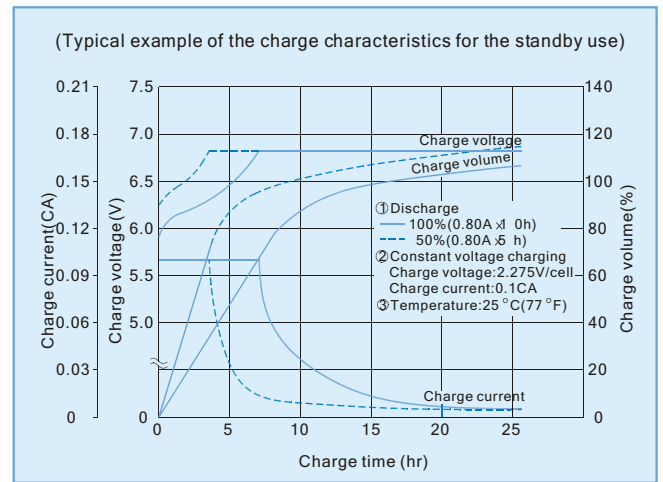
TERMINAL TYPE



HR9-6 (HR9-6FR) discharge characteristics (25°C /77°F)



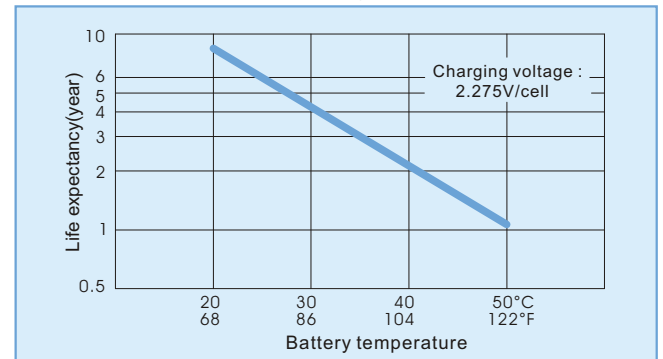
Battery Charging Characteristics



Charging Procedure

Application	Charging method	Charging Voltage at 25°C (V/cell)	Temperature compensation coefficient of charging voltage (mV/°C /cell)	Max. charging current (CA)	Charging time 0.1CA, 25°C (h)		Temp (°C)
					100% discharge	50% discharge	
For standby power Source	Constant voltage & Constant current charging (with current restriction)	2.25~2.30	-3	0.3	24	20	0~40 (32~104°F)
For cycle service		2.40~2.50	-4	0.3	16	10	

Effect Of Temperature On Long Term Float Life



Constant power discharge characteristics at 25 °C/77 °F Unit: W

F.V. (V/cell) \ Discharge Time	5 Min	10 Min	15 Min	20 Min	30 Min	40 Min	50 Min	60 Min	120 Min
1.80V	184.5	126.0	91.3	77.9	59.2	45.0	37.6	33.1	18.3
1.70V	220.5	140.7	99.3	82.5	61.7	46.7	38.8	33.9	18.6
1.60V	236.3	148.0	103.8	85.5	63.0	47.8	39.6	34.5	18.9
1.50V	243.0	150.8	106.0	86.9	63.8	48.4	40.1	34.8	19.0
1.40V	247.5	152.8	107.2	87.7	64.3	48.7	40.4	35.0	19.1
1.30V	249.8	154.2	108.0	88.2	64.6	49.0	40.6	35.1	19.1

Constant current discharge characteristics at 25 °C/77 °F Unit: A

F.V. (V/cell) \ Discharge Time	5 Min	10 Min	15 Min	20 Min	30 Min	40 Min	50 Min	60 Min	120 Min
1.80V	32.95	22.11	15.79	13.35	10.03	7.57	6.29	5.52	3.04
1.70V	40.09	24.68	17.17	14.14	10.45	7.86	6.49	5.64	3.10
1.60V	42.95	25.96	17.95	14.67	10.68	8.04	6.63	5.74	3.15
1.50V	44.18	26.45	18.34	14.90	10.81	8.14	6.70	5.79	3.17
1.40V	45.00	26.81	18.55	15.03	10.89	8.19	6.76	5.83	3.18
1.30V	45.41	27.04	18.69	15.13	10.95	8.23	6.79	5.85	3.18

All data shall be changed without prior notice, BB reserves the right to explain and update the information contained herein.

A/3 REV. Dec. 2010

USA:
B&B BATTERY(USA) INC.
6415 RANDOLPH ST. COMMERCE, CA, 90040 U.S.A.
TEL: 1-323-278-1900, 1-800-278-8599
FAX: 1-323-278-1268
E-Mail: sales@bb-battery.com

CHINA FACTORY:
B.B. BATTERY CO., LTD.
CHENG DONG TRIAL AREA, HUANG GANG,
RAOPING, GUANG DONG, CHINA, 515700
TEL: 86-768-7601001-2
FAX: 86-768-7601469
E-Mail: maggy@bb-battery.com

EUROPE:
B&B BATTERY(EUROPE) B.V.
SUITE 8, HAAKSBERGWEG 33, 1101
BP AMSTERDAM, THE NETHERLANDS
TEL: 31-30-3200190
MOBILE: 886-933896989
E-Mail: gary@bb-battery.com

HONG KONG:
B&B BATTERY(Hong Kong) Co.
TEL: 852-2311-4918
FAX: 852-2739-1182
E-Mail: bbhk@hkstar.com

JAPAN:
B&B BATTERY(JAPAN) CO., LTD.
1375-11 NARAHARA-MACHI, HACHIOJI,
TOKYO 193-0803, JAPAN.
TEL: 81-426-25-6375
FAX: 81-426-25-6375
E-Mail: miyata@bb-battery.com

TAIWAN:
B.B. BATTERY(TAIWAN) CO., LTD.
TEL: 886-6-502-5150
FAX: 886-6-589-8087
E-Mail: kevin@bb-battery.com